

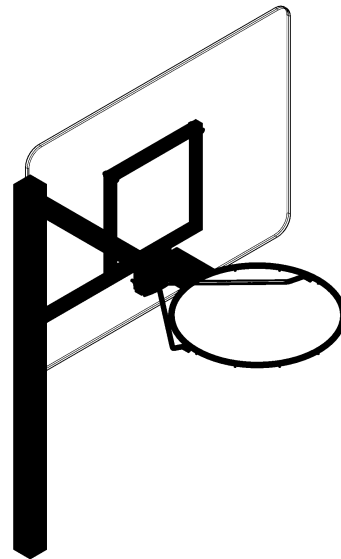
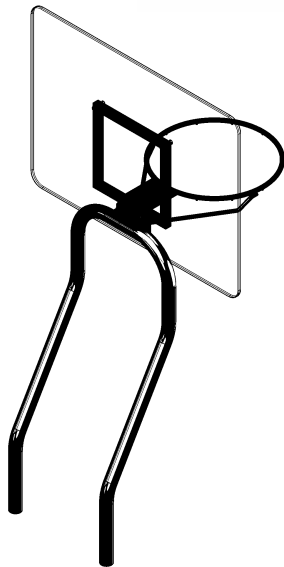
# SWIM'N'DUNK CHALLENGE RESIDENTIAL BASKETBALL GAMES



And

# COMMERCIAL BASKETBALL GAMES

## ASSEMBLY AND INSTALLATION INSTRUCTIONS



CORPORATE HEADQUARTERS  
WESTERN SALES AND MANUFACTURING PLANT  
P.O. Box 400  
Canby, Oregon 97013  
PH (800) 824-4387 • F (503) 266-4334  
[www.srsmith.com](http://www.srsmith.com)

## INTRODUCTION

The Challenge Residential and Commercial Basketball Games are designed for use on in-ground pools in shallow water depth areas. Proper and complete assembly, use and supervision are essential for proper operation, and to reduce the risk of accident or injury.

### **\*\*IMPORTANT\*\***

Check entire boxes and inside all packing materials for parts. Before beginning assembly, read the instructions and identify parts using the figures and parts listed in this document. It is critical that all parts be carefully inspected by the installer prior to installation to ensure that no damage occurred in transit and that a damaged part is not used. Proper installation cannot be overstressed, as an improper installation voids S.R. Smith's warranty and may affect the safety of the user.



### **SAFETY INSTRUCTIONS**

- This equipment is intended for use in shallow water depth areas.
- During play, do not wear jewelry (rings, watches, necklaces, etc.) Objects may entangle in net.
- Do not dive or jump from any part of unit, including backboard support braces or rim.
- Do not hang, climb or stand on any part of unit, including backboard, support brace, rim or net.
- Periodically inspect the rim, backboard and posts to assure there are no worn parts and that all hardware is properly tightened.

ITEM #	PART #	DESCRIPTION	QTY.
1	SPG-200A	Clear Acrylic Backboard w/ Screen Printing	1 ea.
2	20-197-VB	Acrylic Backboard Square Frame	1 ea.
3	05-14-103	5/16"-18 X 2" Flat Socket Cap Screw SS	2 ea.
4	05-32-111	3/8 Nylon Protective Washer	10 ea.
5	5-145	3/8" ID X 7/8" OD Flat Washer SS	10 ea.
6	5-658	5/16"-18 Flanged Lock Nuts S/S	6 ea.
7	20-193-1 or 20-194-VB or 20-195-VB or 20-196-VB	Challenge Residential Dual Post, Polished SS (NOT SALT FRIENDLY) or Challenge Salt Friendly Residential Dual Post, Vinyl Black or Salt Friendly Commercial Dual Post, Vinyl Black or Salt Friendly RockSolid Single Post, Vinyl Black	1 ea.
8	AS-100P or 27-107	Plastic Anchor (Dual Post) or RockSolid Anchor (Single Post)	2 ea. 1 ea.
9	S-R-44-VC	RIM, Salt Friendly Vinyl Black	1 ea.
10	800-2045	5/16-18 X 2 3/4 HH Tap Bolt 316SS	4 ea.
11	SPG-102	Basketball	1 ea.
12	SPG-103	Basketball Needle	1 ea.
13	SPG-105	Basketball Net, Competition Grade	1 ea.
14	8-116	1" Plastic Square Rail End Plug *(FACTORY INSTALLED)*	6 ea.
15	8-117	1" Round Push-In Rubber Bumper	2 ea.
16	8-103	2.5" Plastic Square Rail End Plug *(FACTORY INSTALLED)*(20-195-VB ONLY)	1 ea.
17	EP-200-MC or EP-200-BO or EP-300-PC	Snap Tite Escutcheon, Chrome (FOR 20-193-1) or SnapTite Escutcheon, Black (FOR 20-194-VB and 20-195-VB) or Square Escutcheon, Black (FOR 20-196-VB)	2 ea. 2 ea. 1 ea.

# RESIDENTIAL AND COMMERCIAL BASKETBALL GAMES

**NOTE:** Two in-deck plastic anchors (AS-100P) for concrete decks are required to install the dual post basketball games. One in-deck RockSolid anchor (27-107) for concrete decks is required to install the single post basketball game.

## ASSEMBLY INSTRUCTIONS

### TOOLS REQUIRED

1. 1/2" Standard Wrench
2. 1/2" Socket Wrench
3. 7/32" Allen Wrench

### GENERAL INSTRUCTIONS

1. Assemble the Acrylic Backboard (1) to the Square Frame (2) with the 5/16"-18 X 2" Flat Socket Head Cap Screw SS (3), 3/8 Nylon Washer (4), 3/8" Flat Washer SS (5), and 5/16"-18 Flanged Nut SS (6), as shown in **FIGURE 1**. **DO NOT SET THE BACKBOARD ON CONCRETE OR OTHER ROUGH SURFACES.** Cardboard from the packaging is a good surface to work on. Do not fully tighten any of the hardware until all parts are assembled. **The pre-installed rubber bumpers in the Square Frame (2) must be oriented away from the Acrylic Backboard (1), as shown in the image below.**

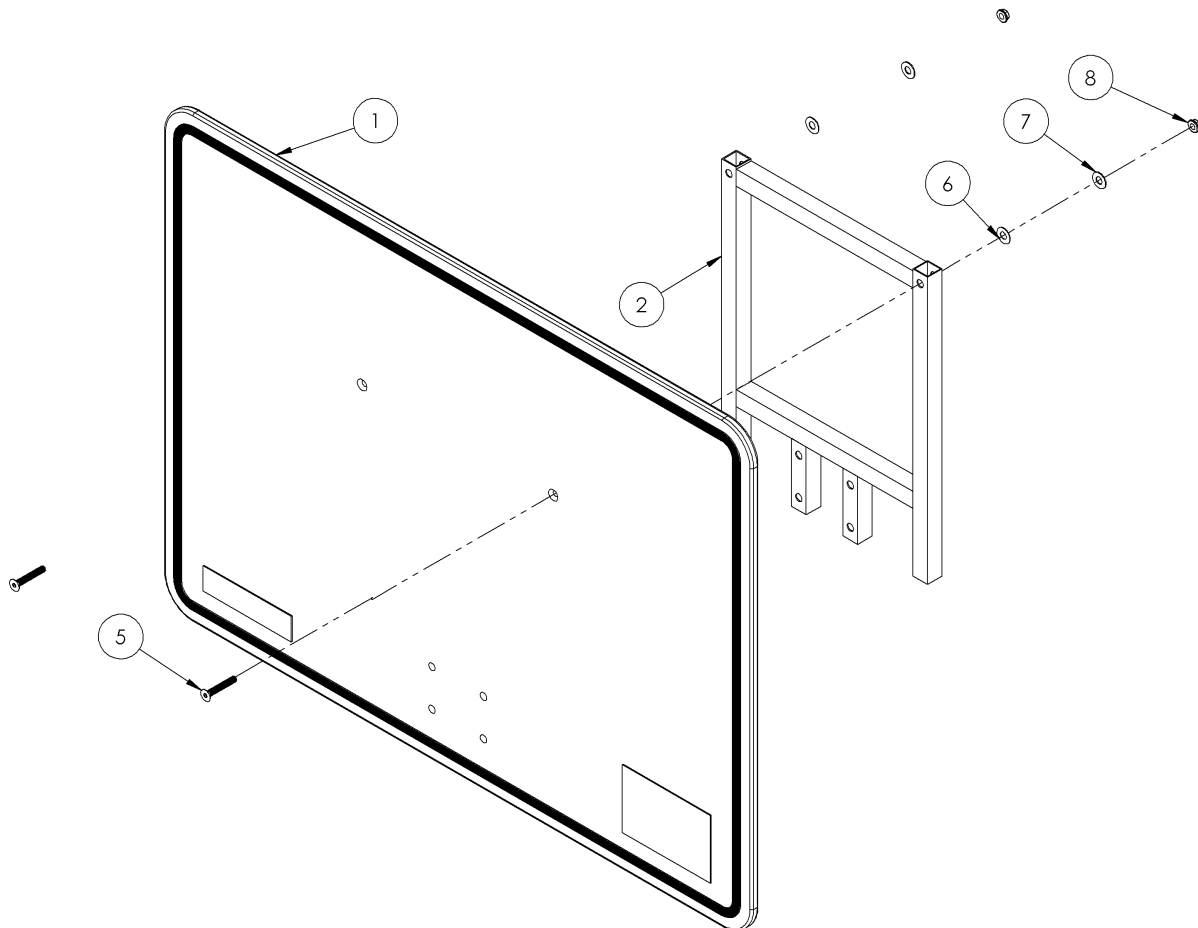


Fig.1

## DUAL POST INSTRUCTIONS

1. Insert the vertical post (7) into the installed anchors (8), as shown in **FIGURE 2**. To make assembly easier, the basketball game can be assembled facing away from the pool and will be turned around once assembly is complete. (For anchor installation information see 06-252)

2. Place the four bolts with hardware through the Rim (9): 5/16-18 X 2 3/4 HH TAP BOLT 316SS (10), 3/8" Flat Washer (5), and 3/8" Nylon Washer (4). Align the bolts and rim with the holes in the Acrylic Backboard (1). Next, continue the bolts through the mounting plate on the Vertical Posts (7), and tighten using the hardware shown: 3/8" Nylon Washer (4), 3/8" Flat Washer (5), and 5/16"-18 Flanged Nut (6). See **FIGURE 3**. Do not fully tighten the hardware.

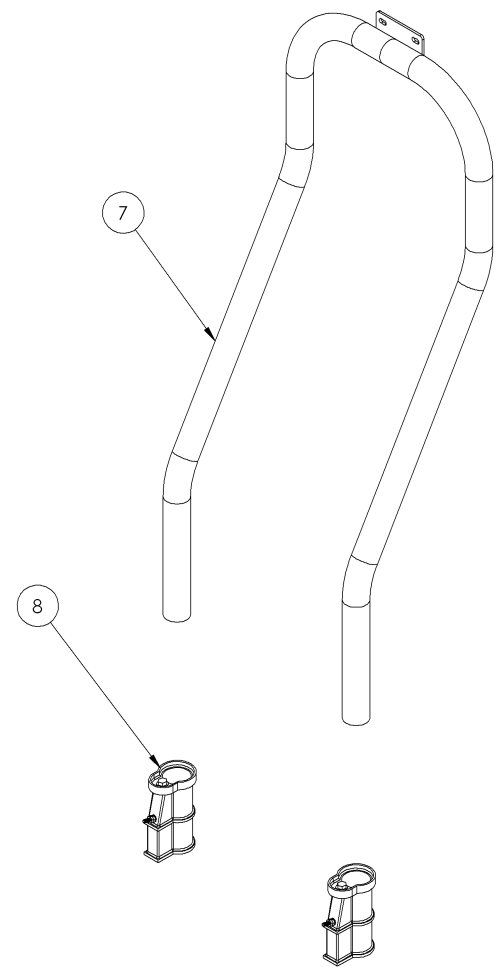


Fig. 2

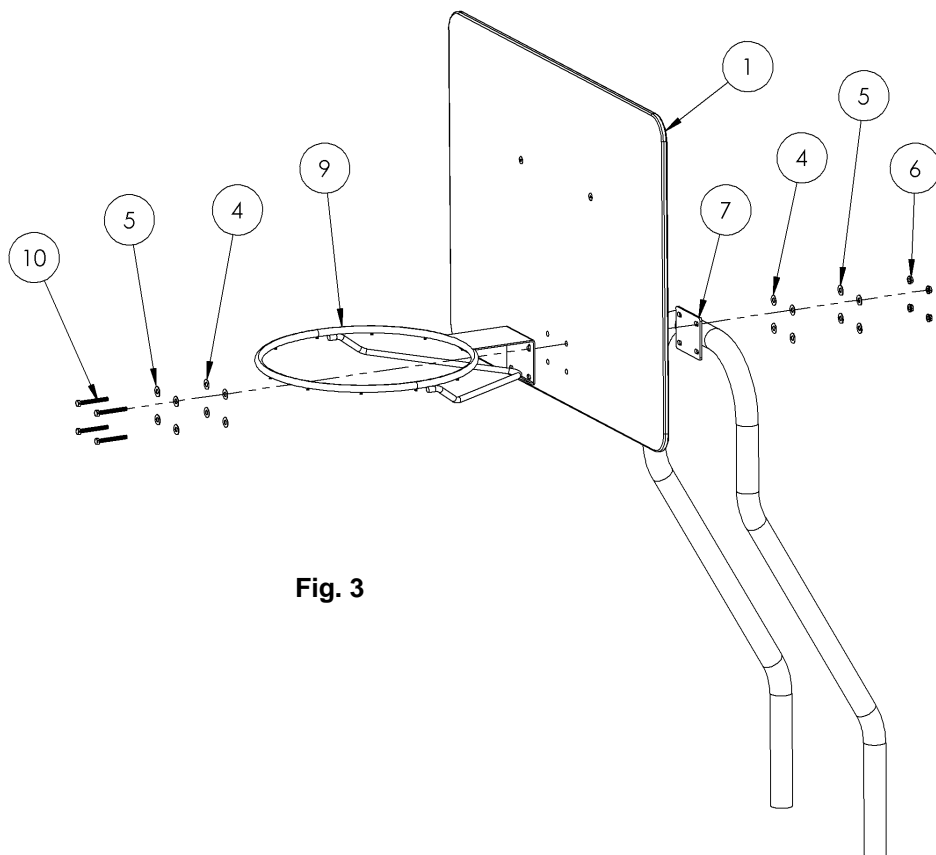
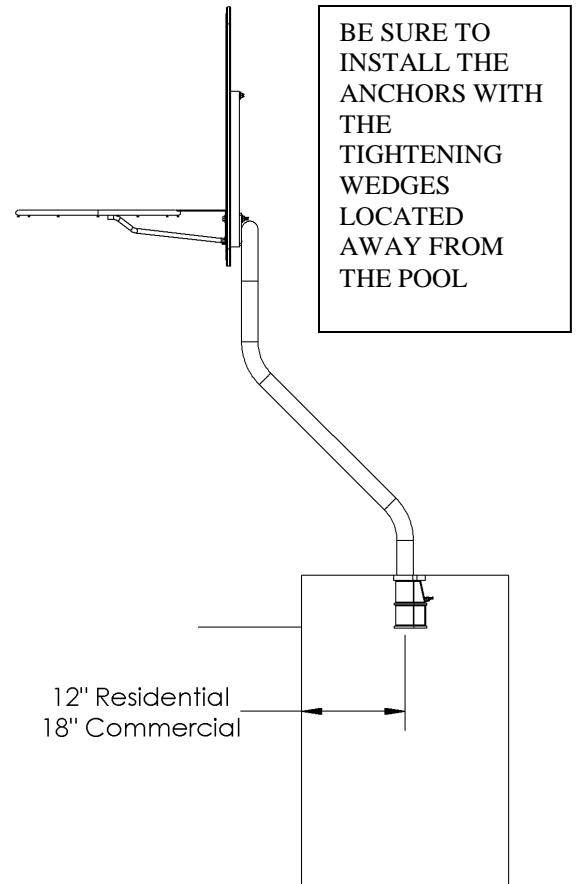
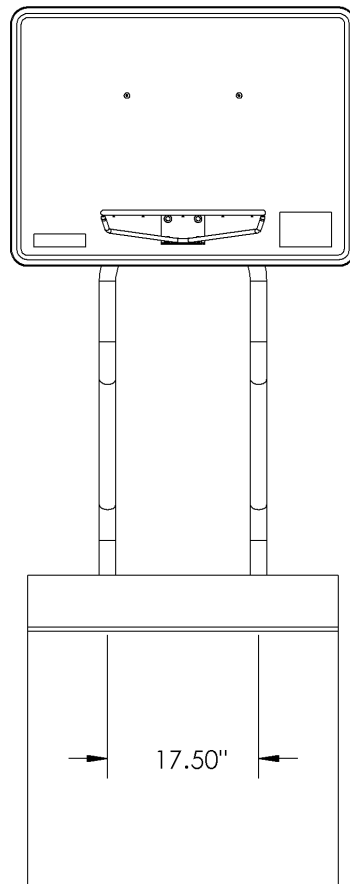


Fig. 3

3. Level the backboard and rim before fully tightening hardware in the following order:

- i. Tighten the anchor wedge bolts until the post is secure in the anchors. Do not over-tighten or you can damage the tubing.
- ii. Tighten the 5/16" flat bolts through the backboard and square frame until snug. Over-tightening can damage the backboard.
- iii. Tighten the rim's 5/16" bolts till the rim is secured, excessive pressure will damage the backboard.

4. Basketball units are to be anchored to the deck using 6 inch deep AS-100P anchor sockets. Install the anchors in the pool deck 17-1/2 inches apart on center and 12 back for residential versions or 18 inches back for commercial versions, shown in **FIGURE 4**. Properly bond the anchor sockets using the attached bonding screw and the appropriate bond wire per local codes. Allow concrete to cure before installing the basketball unit.



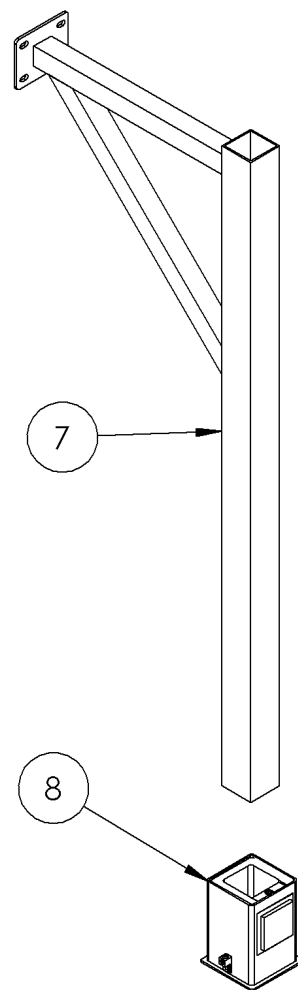
**Fig. 4**

NOTE: Each anchor socket has a removable cap, which needs to be removed before inserting the assembly. The cap can be removed by inserting a small flat blade screwdriver into the center hole of the anchor cap and pulling up. When removing the basketball assembly from the anchors make sure to place the caps in the anchors.

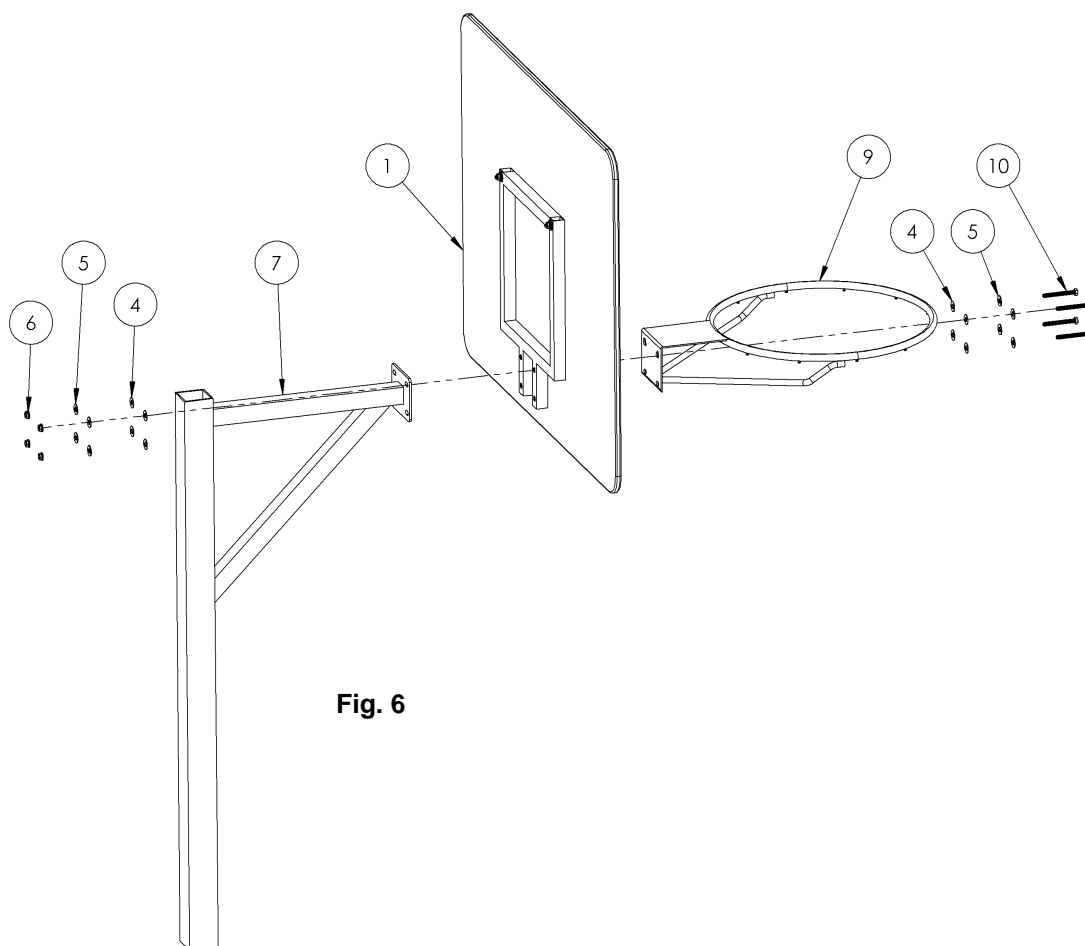
## SINGLE POST INSTRUCTIONS

1. Insert the vertical post (7) into the installed anchor (8), as shown in **FIGURE 5**. To make assembly easier, the basketball game can be assembled facing away from the pool and will be turned around once assembly is complete. (For anchor installation information see 06-674)

2. Place the four bolts with hardware through the Rim (9): 5/16-18 X 2 3/4 HH TAP BOLT 316SS (10), 3/8" Flat Washer (5), and 3/8" Nylon Washer (4). Align the bolts and rim with the holes in the Acrylic Backboard (1). Next, continue the bolts through the mounting plate on the Vertical Posts (7), and tighten using the hardware shown: 3/8" Nylon Washer (4), 3/8" Flat Washer (5), and 5/16"-18 Flanged Nut (6). See **FIGURE 6**. Do not fully tighten the hardware.



**Fig. 5**



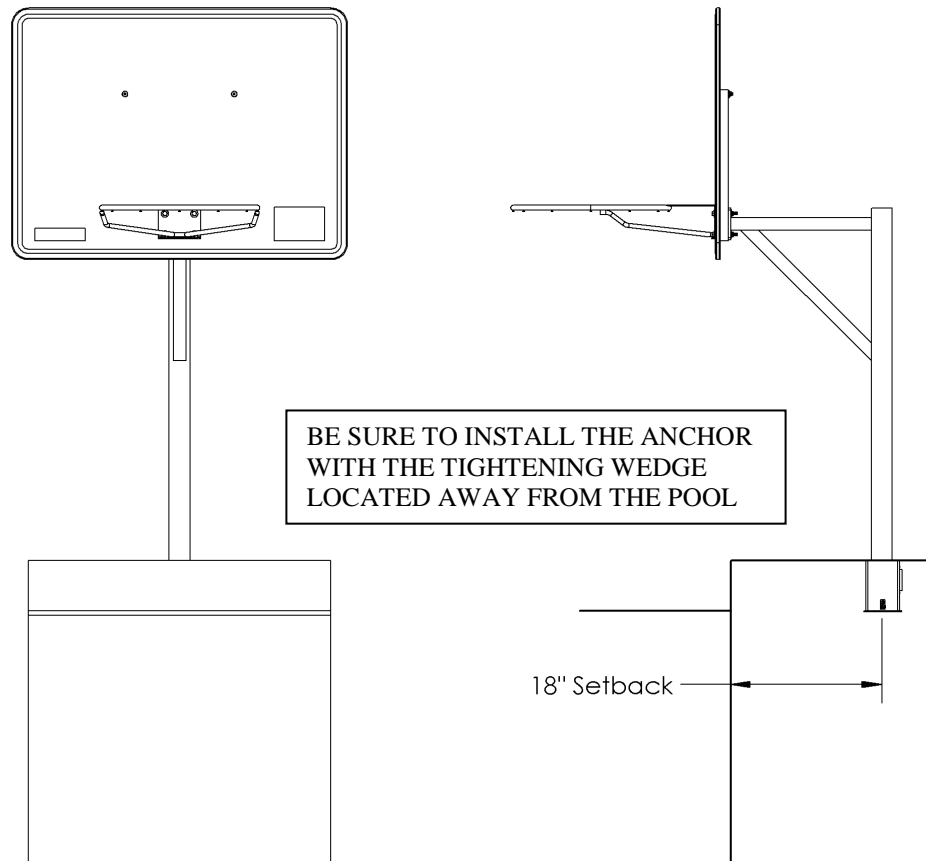
**Fig. 6**

3. Level the backboard and rim before fully tightening hardware in the following order:

- i. Tighten the anchor wedge bolt until the post is secure in the anchor.
- ii. Tighten the 5/16" flat bolts through the backboard and square frame until snug. Over-tightening can damage the backboard.
- iii. Tighten the rim's 5/16" bolts till the rim is secured, excessive pressure will damage the backboard.

4. Basketball units are to be anchored to the deck using a 6 inch deep 27-107 anchor. Install the anchor in the pool deck 18 inches back, shown in **FIGURE 7**.

Properly bond the anchor using the attached bonding screw and the appropriate bond wire per local codes. Allow concrete to cure before installing the Basketball unit.



**Fig. 7**

NOTE: Each anchor socket has a removable cap, which needs to be removed before inserting the assembly. The cap can be removed by inserting the anchor tool into the anchor cap and lifting up. When removing the basketball assembly from the anchors make sure to place the caps in the anchors.